

MECHANICAL SPECIFICATIONS

DIMENSIONS

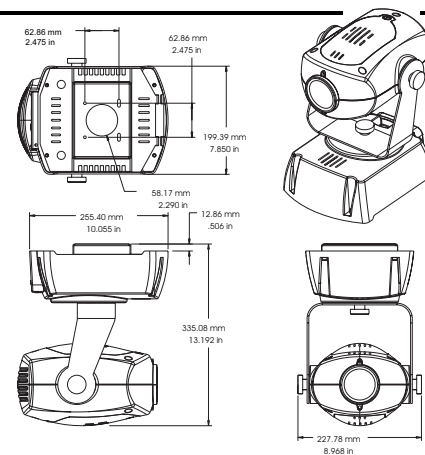
FIXTURE	BOXED FOR SHIPPING
in: 13.2 x 8.97 x 10.06	in: 15.56 x 13.63 x 12
mm: 335.08 x 227.8 x 255.4	mm: 395.2 x 346.2 x 305

Weight: 3.6 kg.(8 lbs.) **Weight:** 4.5 kg. (10 lbs.)

Mounting Information: (see model selection)

- Stand alone base
- C-Clamp
- Electrical junction box (Hinged plate)
- Yoke only (with optional user installed 32" Data cable)

Colors Available: Silver, Black, White



ELECTRICAL SPECIFICATIONS / LIGHT SOURCE

Lamp	MR-16 IR 50W
Power Consumption	100V - 230V, 50-60 HZ
Rated Power	100W
Power Factor	120V, 60HZ: 0.96 230V, 50HZ: 0.90
Lamp Life	4000 hours
Color Temperature	3000K

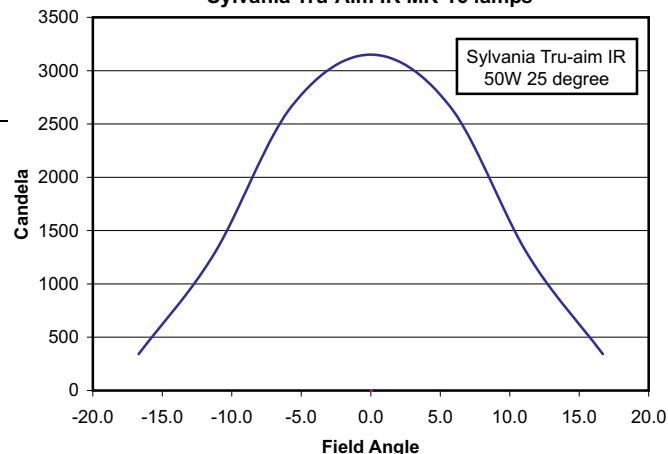
	Center Beam Candela	Beam Angle Degrees	Field Angle Degrees
	3150	21	33
Throw	Center Beam	Beam Diameter	Field Diameter
5	126	1.85	2.96
10	31.50	3.71	5.92
15	14	5.56	8.89
20	7.88	7.41	11.85
25	5.04	9.27	14.81

For Metric figures, "center beam" values are in lux, and throw and diameter are in meters.

For US figures, "Center Beam values are in lux, and the throw and diameters are in feet.

$$\text{Illuminance} = \frac{\text{Candela}}{\text{Distance}^2}$$

Sylvania Tru-Aim IR MR-16 lamps



OPERATION

Pan:180° **Tilt:** 180°

Control Options: DMX-512, Stand alone operation, Remote Preset Programming/Playback, Fixture Talkback

Address Methods: Binary dipswitch

Software Upgrades

Operating software may be downloaded from the High End Systems web site (www.highend.com), and uploaded using a High End Systems dongle or a HandShake Controller.

Compliances

UL, CE, and CSA compliant.

Connector System

XLR 5 pin, RJ-45, and Hardwired versions available

Environmental Tolerances

Maximum Ambient Temp: 40C, 104F
Max. exterior surface temp: 75C,167F
Max. distance to lighted object: .5m, 20.833"

Max. distance to flammable object N/A
Maximum winding temperature: 105C (221F)
Maximum capacitor temperature: 85C (185F)

PART NUMBERS

Part Numbers:

- 54010001 C-16 architectural luminaire, Black, w/lamp, CE, UL, CSA Compliant- RJ-45 / AC cord
- 54010002 C-16 architectural luminaire, Black, w/lamp, CE, UL, CSA Compliant- RJ-45 / AC wired
- 54010003 C-16 architectural luminaire, Black, w/lamp, CE, UL, CSA Compliant- XLR / AC cord
- 54010004 C-16 architectural luminaire, Black, w/lamp, CE, UL, CSA Compliant- Data & AC wired

- 54010011 C-16 architectural luminaire, White, w/lamp, CE, UL, CSA Compliant- RJ-45 / AC cord
- 54010012 C-16 architectural luminaire, White w/lamp, CE, UL, CSA Compliant- RJ-45 / AC wired
- 54010013 C-16 architectural luminaire, White w/lamp, CE, UL, CSA Compliant- XLR / AC cord
- 54010014 C-16 architectural luminaire, White w/lamp, CE, UL, CSA Compliant- Data & AC wired

- 54010020 C-16 architectural luminaire, Silver w/lamp, CE, UL, CSA Compliant- RJ-45 / AC cord
- 54010021 C-16 architectural luminaire, Silver w/lamp, CE, UL, CSA Compliant- RJ-45 / AC wired
- 54010022 C-16 architectural luminaire, Silver w/lamp, CE, UL, CSA Compliant- XLR / AC cord
- 54010023 C-16 architectural luminaire, Silver w/lamp, CE, UL, CSA Compliant- Data & AC wired

Accessories:

- 55000011 RJ-45 Termination Plug
- 90409112 XLR to RJ-45 Jumper Cable
- 90409124 Data/Lamp Extension Cable 4"
- 80071726 Low profile yoke, Black
- 80071728 Low profile yoke, White
- 80071728 Low profile yoke, Silver
- 54040001 Projection Lens Kit
- 55030060 C-16 Replacement lamp, MR-16-IR-NFL25,50W

Accessory Litho Patterns for C-16: Studio Spot / X-Spot
Diameter: 1.435" ± 0.006" (36.45 mm ± 0.13 mm)
Thickness: Glass or Metal .010" (.26 mm) to .070" (1.78 mm)
Image Area: 1.250" ± 0.010" (31.75 mm ± 0.25 mm)

DICHROIC GLASS

Standard filter colors: Red, Aqua, Magenta, Yellow, Blue, Pink

DMX CHANNELS

Channel	Function
1	Color
2	Dim

Internal Preset Scene Memory: 2 banks, 16 scenes, User
2 banks, 16 scenes, Factory